

RKHD Heavy-Duty Power Rack

For Alignment and General Service

***Innovative Features
for Safety and
Versatility Make
Heavy-Duty Alignment
Fast and Easy***



HUNTER
Engineering Company

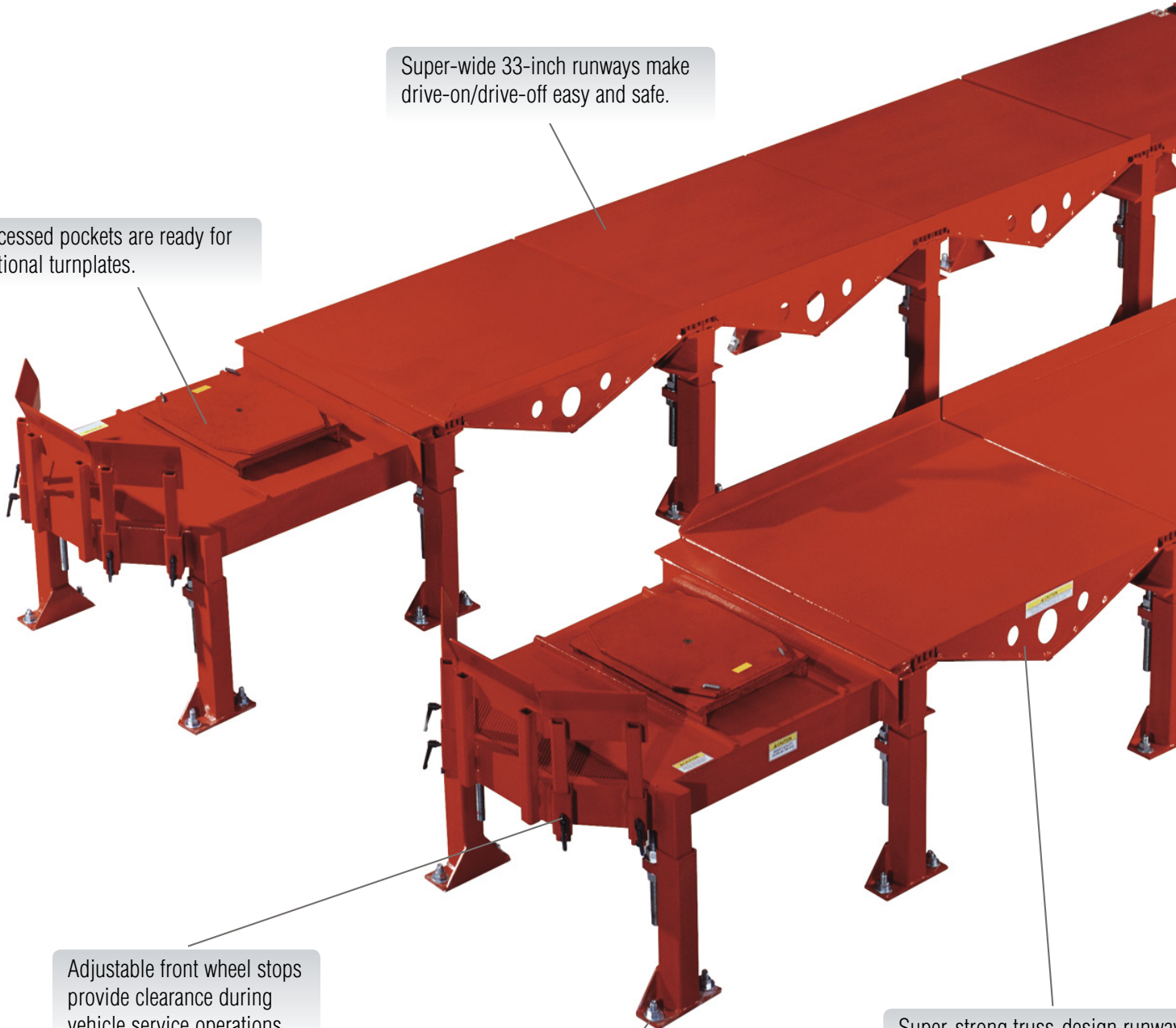
RKHD Heavy-Duty Power Rack

Easy-to-use, Drive-on Style Rack Offers the Benefits of a Pit Rack Without the Cost

An
sec
wh

Super-wide 33-inch runways make drive-on/drive-off easy and safe.

Recessed pockets are ready for optional turnplates.



Adjustable front wheel stops provide clearance during vehicle service operations.

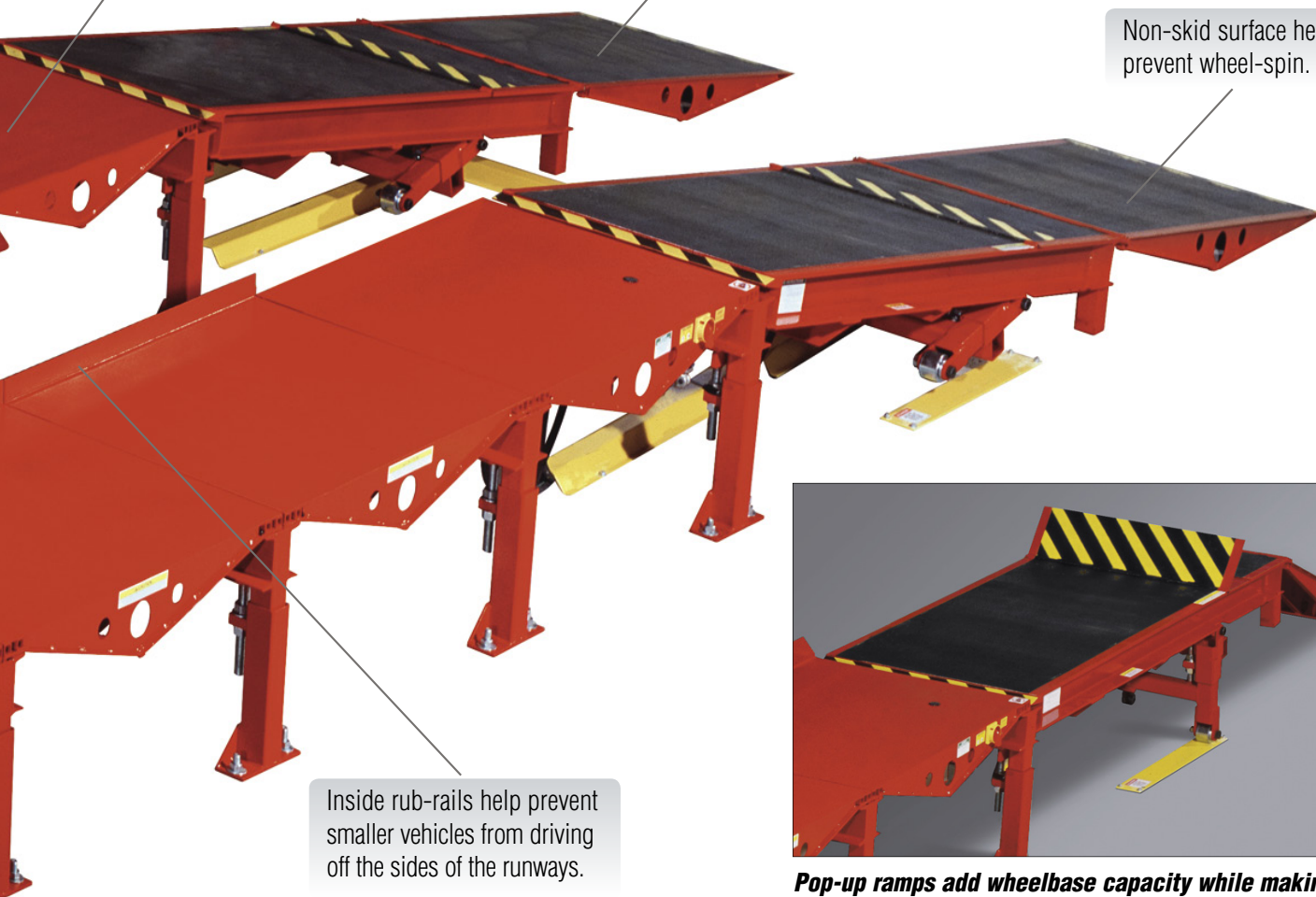
Legs bolt directly to the bay floor for maximum strength. Each leg has a level adjustment for maximum level accuracy.

Super-strong truss-design runways provide 20,000 lbs. per axle capacity.

unlimited number of runway
sections can be added to increase
wheelbase capacity.

8° approach angle for
drive-on clearance.

Non-skid surface helps
prevent wheel-spin.



Inside rub-rails help prevent
smaller vehicles from driving
off the sides of the runways.



Pop-up ramps add wheelbase capacity while making efficient use of bay space. Automatic wheel stops engage when ramps are raised to up position. Ramp legs safely lock in over-center position at maximum rise.



Optional Jack Tray with wheels and guides simplifies alignment and other service operations that require jacking. An option for bottle jacks is also available.



Lift controls require two hands for safer operation.

ys
city.

Specifications and Configurations

Max. vehicle gross weight:	20,000 lbs. (9,072 kg) per axle
Drive-on height:	24 in. (610 mm)
Runway width:	33 in. (838 mm)
Overall width:	106 in. (2,692 mm)
Distance between runways:	40 in. (1016 mm) (Installed width can be varied)
Overall length: (Standard configuration)	403 in. (10,236 mm)
Length of modular runway section:	46 in. (1168 mm)
Approach ramp angle:	8°
Power requirements:	220V, 1ph., 20A



The RKHD fits a wide range of vehicle applications.

Configurations

✓ SURFACE MOUNT

- RKHD** Includes pop-up ramps, turnplate sections and 4 runway sections.
- 20-1780-2** Pair of modular runway sections. Adds 46 inches to wheelbase capability.

✓ PIT MOUNT

- RKHD-P-24** Pair of turnplate sections for 24-inch pit.
- 20-1780-2** Pair of modular runway sections for 24-inch pit. Adds 46 inches to wheelbase capability.
- RKHD-P-30** Pair of turnplate sections for 30-inch pit.
- 20-1783-2** Pair of modular runway sections for 30-inch pit. Adds 46 inches to wheelbase capability.
- 20-1781-2** Pit adaptor secures runway to pit back wall.

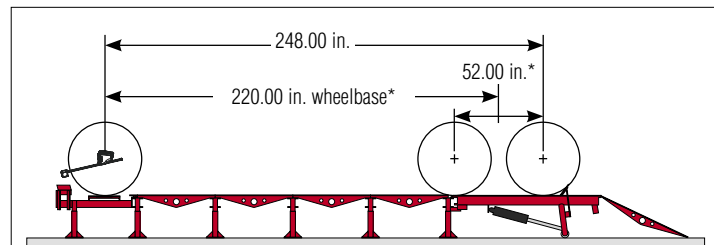
Jacks

- 133-77-2** HD AC rolling pit jack, 35,200-lb. capacity.
- 133-81-2** HD AC jack tray for 24-inch RKHD.
- 133-76-2** HD conventional jack tray for 24-inch RKHD.

When ordering jack guide rails, consult the 900D ordering guide to determine what should be ordered for your RKHD configuration.

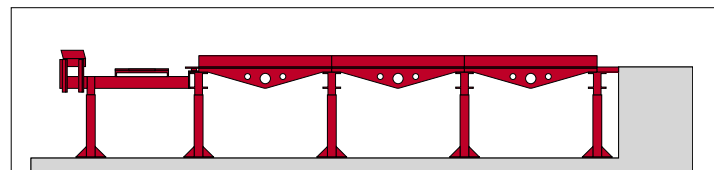
Additional Options

- 20-2709-1** Two standard turnplates
- 20-2708-1** Two truck electronic turnplates
- 20-2710-1** Two audit turnplates; low friction/high durability



Standard configuration with four runway sections and pop-up section raised.

*This wheelbase shows a common 52-inch tandem spacing. Other tandem spacing will result in different wheelbase measurements.



Pit configuration: 24-in. and 30-in. RKHD pit versions are available.

This example shows a 30-inch pit with three runway sections.

Because of continuing technological advancements, specifications, models and options are subject to change without notice.

HUNTER
Engineering Company

www.hunter.com

0812HAP2M.46

